

PRICE[®]

SUBMITTAL DRAWING



TMS  **JOHNSON**
Trusted Partner • Reliable Solutions

TMS Johnson, Inc. | 763-544-5442 | www.tmsj.com
Twin Cities: 2908 Nevada Ave N, New Hope, MN 55427
Rochester: 3270 19th St NW, Suite 210, Rochester, MN 55901



MANUAL – INSTALLATION

500/600/700

Louvered Grilles

v001 – Issue Date: 28/10/22

© 2022 Price Industries Limited. All rights reserved.

PRICE[®]

500/600/700

TABLE OF CONTENTS

Frequently Asked Questions	1
Product Overview	
Product Overview.....	2
Before You Start.....	2
Getting Started	2
Installation & Mounting Instructions	
Lay-In Application.....	4
No Screw Holes (with Frames)	4
No Screw Holes (with Panels).....	5
Surface Mount Application with Standard Grilles	6
Concealed 'C' Mounting	7
Surface Mount Application with Mounting Frame.....	13
Countersunk 'A' Fastening with 'D'	
Mounting Frame.....	14
Concealed 'C' Fastening with 'D'	
Mounting Frame.....	15
Surface Mount Application with Filter Frames	16
Surface Mount Installation with 530FF/535FF	
Filter Grilles	16
Surface Mount Installation with 630FF/635FF	
Filter Grilles	18
Surface Mount Installation with 730FF/735FF	
Filter Grilles	19
Spiral Duct Application	20
SDF Frame Mounting	20
Oversize Grilles.....	21
Narrow Mullion Oversize Mounting	21
Duct Channel Oversize Mounting	24
Accessory Installation.....	28
Opposed Blade Damper	28
Part List	30

500/600/700

FREQUENTLY ASKED QUESTIONS

This section will address some frequently asked questions.

How do I identify what product I received and the options it came with?

The 500/600/700 grilles will have one (1) sticker located on the outside of the frame.

This line string can be further identified in section “Getting Started” on page 2.



I need to order a specific part that is missing from my grilles. How do I order them?

See “Product Overview” and “Getting Started” on page 2 to identify your grille.

Review the installation section for your product to identify the part missing and see the “Parts List” on page 30 for part number.

Contact your local supplier or the sales representative to order the part and reference the part number.

My grille did not come with all the parts I need to install. How should I proceed?

Check original packaging where grille was shipped. Additional parts may be in a separate bag from the grille.

If parts are unable to be found, contact your local sales representative for further assistance.

How do I install these concealed mounting brackets in my grille?

See “Concealed ‘C’ Mounting” on page 7.

What do I need to make my hole/opening size to fit my product?

See “Product Overview” and “Getting Started” on page 2 to identify your grille.

As per instruction in these sections, refer to the Preparations step for the appropriate grille.

My question about the 500/600/700 grilles is not answered in this manual, how should I proceed?

Please contact the GRD Applications team through email at grd@priceindustries.com

500/600/700

PRODUCT OVERVIEW

Product Overview

The 500/600/700 louvered grilles feature adjustable (supply) or fixed (return) blades to control airflow with minimal see-through. The 500/600/700 grille series is available with both supply and return construction options. With a variety of different frame styles, the louvered grilles can easily be integrated into most ceiling and surface mount applications. To help identify the construction of the product, please refer to the table below:

Material	Models	Blade Spacing	Blade Deflection
Steel (5xx)	Supply (x10/x20)	1/2" (x35)	0° (x10Z)
Aluminum (6xx)	Return (x30/x35/x10Z)	3/4" (x10/x20/x30/x10Z)	45° (x10Z)
Stainless Steel (7xx)	Filter (x30FF, x35FF)		

The 500/600/700 grilles will have one (1) sticker located on the outside of the frame. For ease of troubleshooting assistance, replacement parts, and general factory assistance, it is recommended that the order number and model line string be available for reference. This information can be found on the Factory Label.



Before You Start

Inspect all cartons and boxes for flaws and shipping damage.

If anything is discovered to be damaged, contact the shipping company and file a freight claim.

Getting Started

Step 1: Remove 500/600/700 grille from shipping carton and inspect for any damage.

Step 2: Determine if the grille has a filter frame option. Refer to Factory Label and the following table to determine the grille has a filter frame.

Filter Frame Type	Line String Sample
Steel Filter Frame	/530FF/, /535FF/
Aluminum Filter Frame	/630FF/, /635FF/
Stainless Steel Filter Frame	/730FF/, /735FF/

Step 3: Determine if the product is oversized and requires a specialized installation. Refer to Factory Label and the following table to determine if product is oversized.

Fastening Type	Line String Sample
Narrow Mullion Oversize	/#.000/#.000/, where one of # is > 48
Duct Channel Oversize	/#.000/#.000/, where both of # are > 48

Step 4: Determine if the application of the grille. This is usually determined by the customer.

Application Type	Description
Lay-In	Grilles placed in T-bar grids
Surface Mount – Standard	Standard grilles placed in drywall
Surface Mount – Filter Frame*	Filter frame grilles placed in drywall
Surface Mount – Oversize	Grilles larger than 48" that are placed in drywall
Spiral Duct	Grilles placed in spiral ducts

500/600/700

PRODUCT OVERVIEW

Step 5: Determine the frame/border option. Refer to Factory Label and the following table to determine the grille's border option.

Border Type	Line String Sample
Standard Frames	/F/, /N/, /NF/, /TB/, /17/, /SM/
Lay-In Panels	/3P/, /3PA/, /17P/, /17PA/, /916P/, /916PA/
Spiral Duct Frame	/SDF#/
Mounting Frame	/D/

Step 6: Determine the fastening option. Refer to the Factory Label and the following table to determine the grille's fastening option.

Fastening Type	Line String Sample
Countersunk Holes	/A/
Concealed Mounting	/C/
No Screw Holes	/O/

Step 7: Referenced page numbers for a particular mounting option is shown in the following table. Refer to the preparation step first before moving to the installation of a particular mounting and fastening type.

Application	Border Type	Fastening Type	Line String Sample	Page #
Lay-In – Standard Frames	/F/, /N/, /NF/, /TB/, /17/, /SM/	/O/	510-1-1//I/22.000/22.000/F/L///O/LI/B12	3
Lay-In – Panels	/3P/, /3PA/, /17P/, /17PA/, /916P/, /916PA/	/O/	535-1-1//I/8.000/8.000/3P/L/12/12//O//LI/B12	4
Surface Mount – Standard	/F/, /N/, /NF/	/A/	510-1-1//I/24.000/24.000/N/L///A/SW/B12	5
Surface Mount – Standard	/F/, /N/, /NF/	/C/	520-1-1//I/20.000/12.000/N/L///C/SW/B12	6
Surface Mount – Standard	/D/	/A/	510-1-1//I/12.0000/12.0000/F/L//D//A/B12	13
Surface Mount – Standard	/D/	/C/	510-1-1//I/12.0000/12.0000/F/L//D//C//B12	14
Surface Mount – Filter Frame	/SM/	/QR/, /HS/, /HL/	630FF//I/24.000/24.000/SM/L/0/0/1///MRI/QR///B12	18
Spiral Duct	/SDF#/	/A/	510-1-1//I/12.000/8.000/SDF10/L///A/SW/B12	19
Surface Mount – Oversize	/F/, /N/	Narrow Mullion Oversize Mounting	610-1-2//I/64.000/32.000/SM/F///L/A//B12	20
Surface Mount – Oversize	/F/, /N/	Duct Channel Oversize Mounting	520-1-1//I/64.000/64.000/N/L///A/SW/B12	23

500/600/700

INSTALLATION & MOUNTING INSTRUCTIONS

Lay-In Application

No Screw Holes (with Frames)

This sub-section applies when a grille is ordered with a lay-in frame.

Application: T-bar ceiling systems

Applicable Products: All 500/600/700 grilles including Filter Frames

Applicable Frames: N, F, NF, 17 and TB

Sample line string:

510-1-1//22.000/22.000/F/L//0/LI/B12

530FF//48.000/24.000/17/L/44/20/1/HL//B12

620-1-2//23.000/23.000/LI/NF//24/24/L/0//B12

720//22.500/22.500/N/L//A/#4

735FF//24.000/24.000/TB/S//2//#4

Step 1: Confirm frame style is compatible with the ceiling grid type. For non-filter frames, the N, F, NF frame can be used for flat tile T-bar ceilings. For filter frames, the TB and 17 frame can be used for flat tile T-bar ceilings. For sizing for certain ceiling module, please refer to the product submittal. As an example, see below for a 24x24 module.

Ordered/Duct Size	Frame Type	Overall Face Size
22 1/2" x 22 1/2"	N	23 3/4" x 23 3/4"
22" x 22"	F	23 3/4" x 23 3/4"
23" x 23"	NF	23 23/32" x 23 23/32"
24" x 24"	TB	23 3/4" x 23 3/4"

Step 2: Once size is confirmed, lay the grille into the grid system of the T-bar ceiling.

NOTE: For T-bar applications and grilles ordered without filter frames, "0 - No Screw Hole" mounting is used as these diffusers are simply laid in into the T-bar grid.

500/600/700

INSTALLATION & MOUNTING INSTRUCTIONS

No Screw Holes (with Panels)

This sub-section applies when a grille is ordered with a lay-in panel.

Application: T-bar ceiling grids

Applicable Products: All 500/600 grilles including Filter Frames

Applicable Frames: 3P, 3PA, 916P, 916PA, 17P & 17PA

Sample line string:

510-1-1//I/20.000/20.000/916P/L/24/24//0//LI/B12

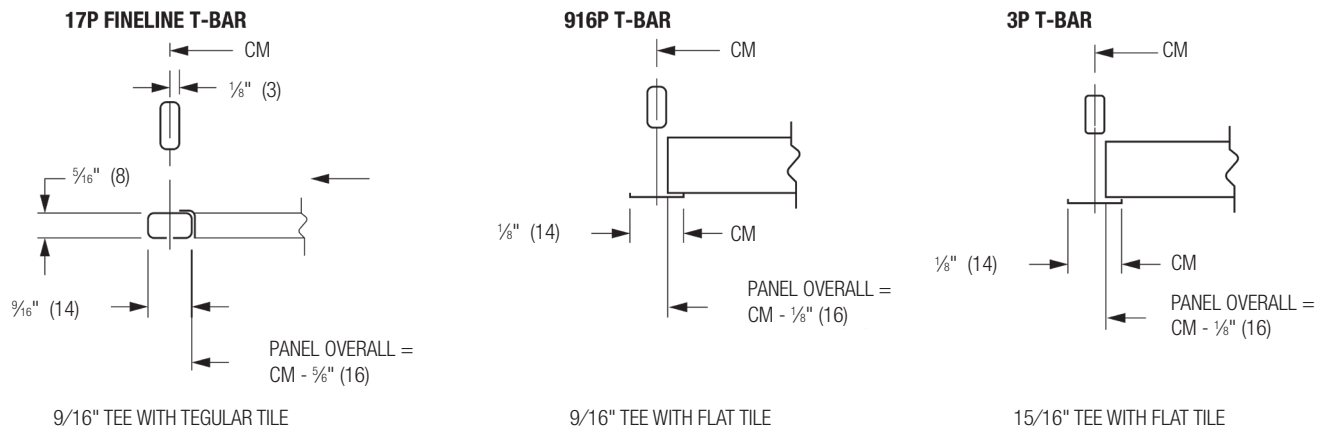
535-1-1//I/8.000/8.000/3P/L/12/12//0//LI/B12

620-1-2//I/11.000/11.000/LI/17PA/48x24//L/0//B12

630FF//I/24.000/24.000/3PA/L/12/12/1///MRI/QR///B12

Step 1: Confirm panel is compatible with the ceiling grid type. For further information, please refer to submittal.

Panel Type	Compatible Ceiling
3P, 3PA	15/16" tee size with flat tile
916P, 916PA	9/16" tee size with flat tile
17P, 17PA	9/16" tee size with tegular tile



Step 2: Once frame is confirmed to be compatible with the ceiling, lay the grille into the grid system of the T-bar ceiling.

NOTE: For T-bar applications and grilles ordered without filter frames, "0 - No Screw Hole" mounting is used as these diffusers are simply laid in into the T-bar grid.

500/600/700

INSTALLATION & MOUNTING INSTRUCTIONS

Surface Mount Application with Standard Grilles

Preparation: Frame out or cut a hole opening where the grille will be placed. The size of the opening to follow nominal size listed on Factory Label (**Except for D Mounting Frame, see NOTE**).

Example: For the line string 510-1-1//12.000/12.000/F/L///A/SW/B12, the size of the hole opening would be 12" x 12".

NOTE: Blocking recommended if grille is laid into drywall.

NOTE: Ensure blocking does not interfere with duct work.

NOTE: For D Mounting Frame, the size of the opening is ¼" larger than the nominal size listed on Factory Label.

Countersunk 'A' Mounting

This sub-section applies to grilles for installation of surface mount drywall applications with "A – Countersunk Holes" mounting.

Application: Ceiling & Wall

Applicable Products: All 500/600/700 grilles

'A' Fastening Borders: F, N, & NF

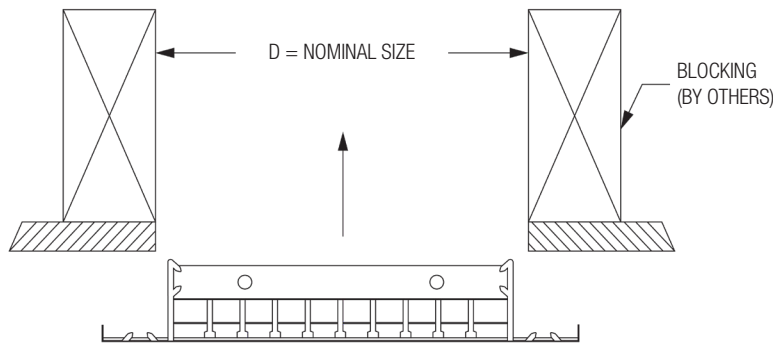
Sample line string:

510-1-1//24.000/24.000/N/L///A/SW/B12

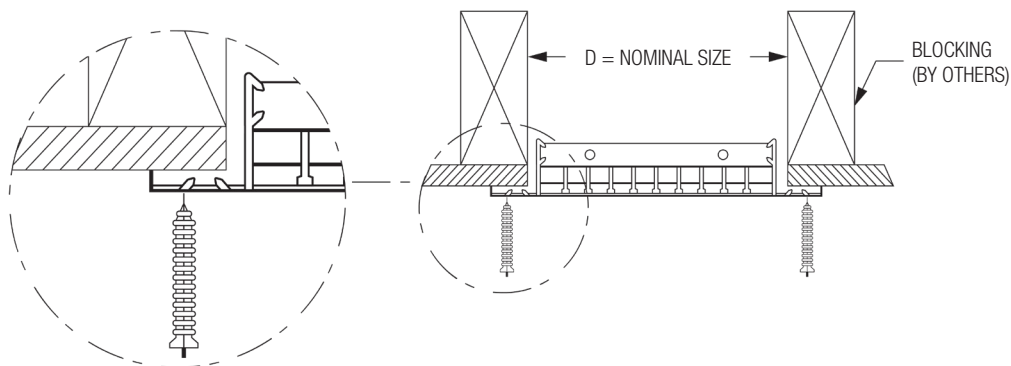
620-1-2//20.000/16.000/SM/F///S/A//SA-MB

735//14.000/12.000/N/L///A//#4

Step 1: Once the application of the grille is determined and the opening has been cut/framed out with the recommended blocking as per the **Preparation** step, place the grille in the opening.



Step 2: Place the grille in the opening and using the #8 screws provided by Price, fasten the grille into place.



500/600/700

INSTALLATION & MOUNTING INSTRUCTIONS

Concealed 'C' Mounting

This sub-section applies to grilles for installation of surface mount drywall applications with “C – Concealed” mounting.

Application: Ceiling & Wall

Applicable Products: Only 500/600 grilles





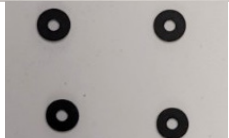


Applicable Frames: F & N

Sample line string:

520-1-1//I/20.000/12.000/N/L///C/SW/B12

620-1-2//I/20.000/16.000/SM/F///S/C///SA-MB

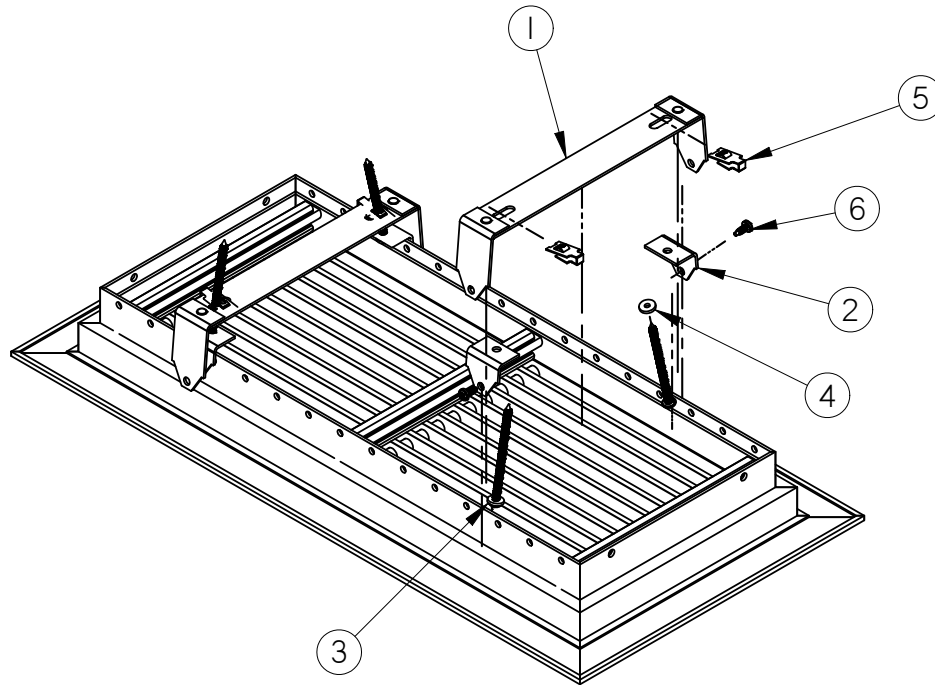
Concealed Mounting Components

Item Number	Description	Image
1	Outer Bracket	
2A	Side Bracket Angle	
2B	Inner Bracket	
3	Mounting Screw	
4	Rubber Washer	
5	Black Threaded Clip	
6	Sheet Metal Screw	

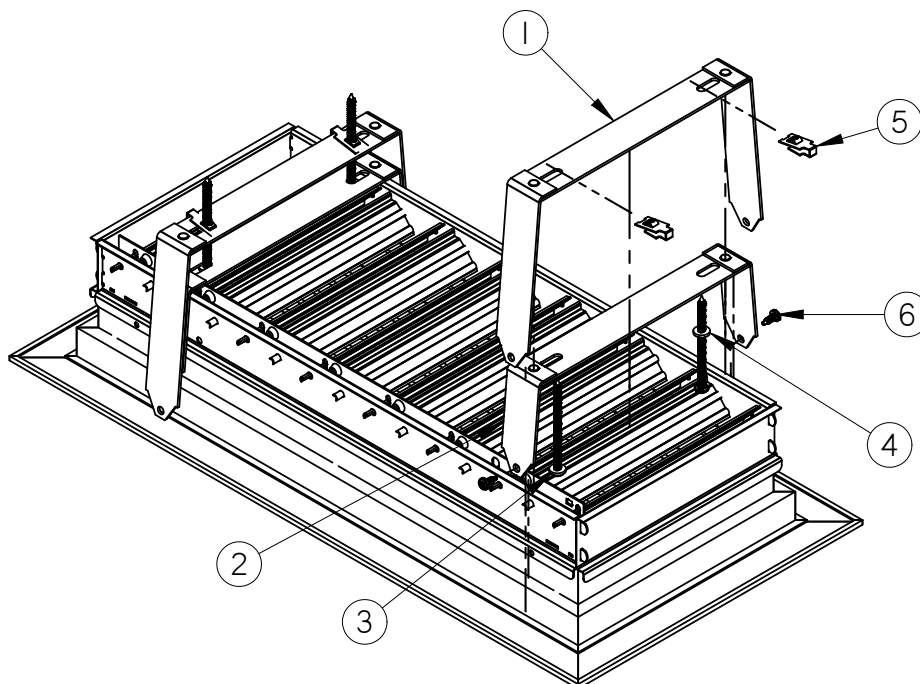
500/600/700

INSTALLATION & MOUNTING INSTRUCTIONS

CMB ASSEMBLY WITHOUT DAMPERS ▼



CMB ASSEMBLY WITH DAMPERS ▼



500/600/700

INSTALLATION & MOUNTING INSTRUCTIONS

Step 1: Open the bag with hardware; ensure that there is the appropriate number of parts as listed in the table below. Depending on the size of the grille and if the grille was ordered with a damper, the parts and quantities of each part will differ.

Grill Type	Grill Size	Part Name	Quantity
Grille without Damper	Grilles 12" and Less	CMB Outer Bracket	1
		CMB Side Angle Bracket	2
		Mounting Screw	2
		Washer	2
		Threaded Clips	2
		Sheet Metal Screws	2
	Grilles above 12"	CMB Outer Bracket	2
		CMB Side Angle Bracket	4
		Mounting Screw	4
		Washer	4
		Threaded Clips	4
		Sheet Metal Screws	4
Grille with Damper	Grilles 12" and Less	CMB Outer Bracket	1
		CMB Inner Bracket	1
		Mounting Screw	2
		Washer	2
		Threaded Clips	2
		Sheet Metal Screws	2
	Grilles above 12"	CMB Outer Bracket	2
		CMB Inner Bracket	2
		Mounting Screw	4
		Washer	4
		Threaded Clips	4
		Sheet Metal Screws	4

NOTE: If an opposed blade damper was ordered, ensure that the damper is mounted to the neck of the diffuser before proceeding. Refer to section titled "Opposed Blade Damper Installation" for more information on page 28.

Step 2: Install mounting screws through the slotted holes of the mounting brackets by inserting the head of the screw through the larger portion of the slot of the inner mounting bracket. Slide the screw into the narrow end of the slot and retain the mounting screw in place using the provided rubber washers by sliding the washers all the way down to the base of the screw.

NOTE: For a grille ordered without a damper, side angle mounting bracket will be included. For a grille ordered with a damper, a long inner bracket will be included. Installation will be relatively similar to both brackets.

500/600/700

INSTALLATION & MOUNTING INSTRUCTIONS

GRILL WITHOUT DAMPER ▼



GRILLE WITH DAMPER ▼



Step 3: Slide the black threaded clips over the slot(s) of the outer bracket.



Step 4: Concealed mounting brackets spacing is not critical but should be adequately spaced apart. Mark the grille as needed for reference of the bracket location. The table below shows approximately how far apart the mounting brackets should be placed along the grille. **Bracket should be parallel to either the damper blades or the short dimension of the grille.**

Grilles 12" or less – Grille will come with one set of brackets. Mark the center of the grille on both sides.



Grilles over 12" – Grille will come with two sets of brackets. Mark 2" approximately from the outside edges of the grille. If marking at a different dimension, try to place the markings in between the damper blades for ease of installation.



500/600/700

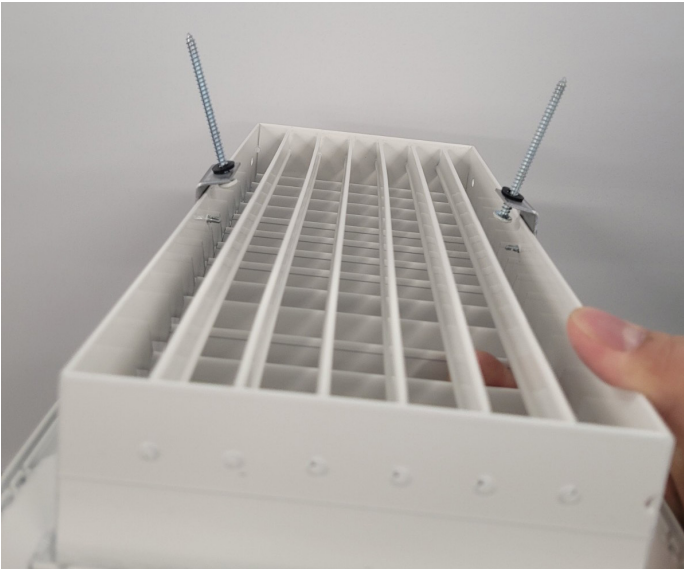
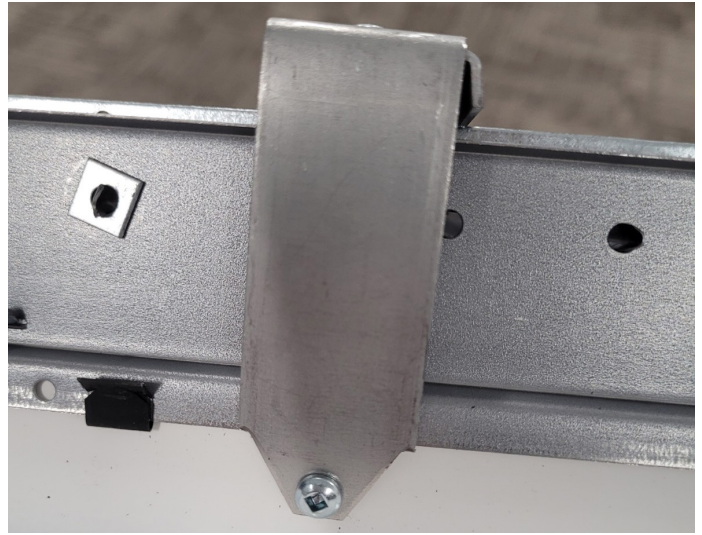
INSTALLATION & MOUNTING INSTRUCTIONS

Step 5: Align the side angle bracket or the inner mounting bracket to markings made in the earlier step and fasten using included self-tapping sheet metal screws. The brackets should be fastened to the neck of the grille with about 1/2" room above the edge of the grille or damper.

GRILL WITHOUT DAMPER ▼



GRILLE WITH DAMPER ▼



500/600/700

INSTALLATION & MOUNTING INSTRUCTIONS

Step 6: Place the outer brackets over the inner/side angle bracket while lining up the mounting screws with the black threaded clips on the outer brackets. With a screwdriver, turn each screw clockwise, alternating mounting screws to ensure that the outer bracket remains as parallel to the frame as possible. Keep turning the mounting screws until the outer bracket is approximately halfway down the length of the screw.

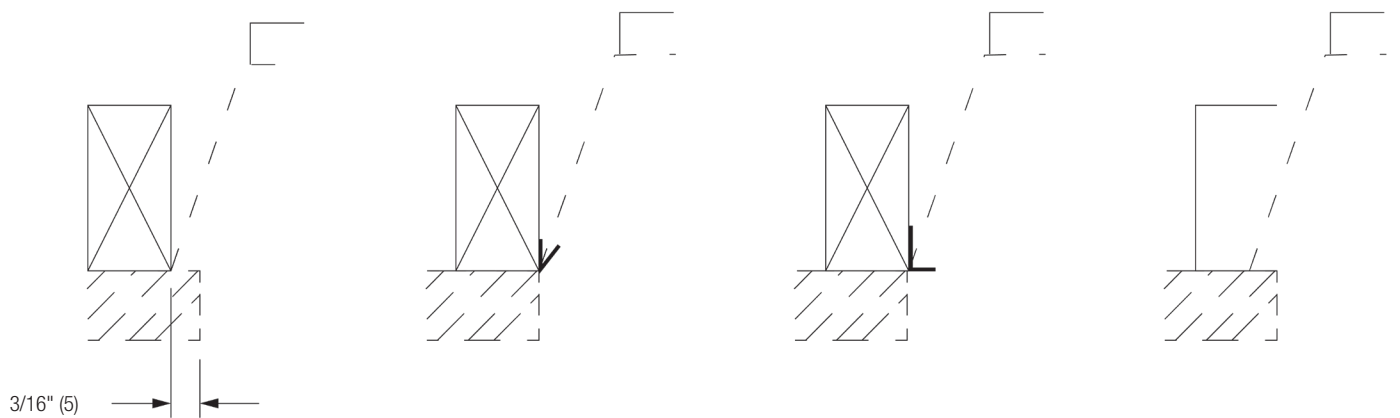
NOTE: If the grille has a mounted damper, fully open the damper blade before screwing in the mounting screws.



Step 7: Once the application of the grille is determined and the opening has been cut/framed out with the recommended blocking as per the Preparation step, place the grille with the concealed mounting brackets into the hemmed duct or wall opening.

NOTE: Ensure that the outer bracket latches onto the hem of the duct before tightening the concealed mounting screws.

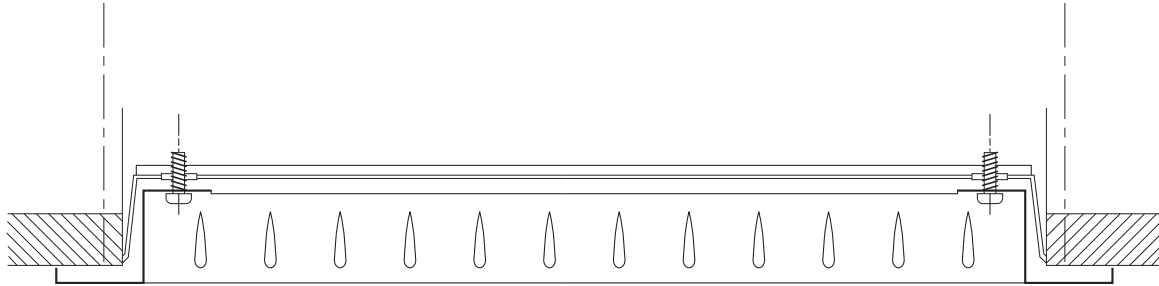
NOTE: If the ducting/plenum is not hemmed, a ledge may be added for installing the bracket. This may be formed by the drywall, a sheet metal hem or angle or a metal stud framing.



500/600/700

INSTALLATION & MOUNTING INSTRUCTIONS

Step 8: Tighten concealed mounting screws until frame comes into contact with the surface

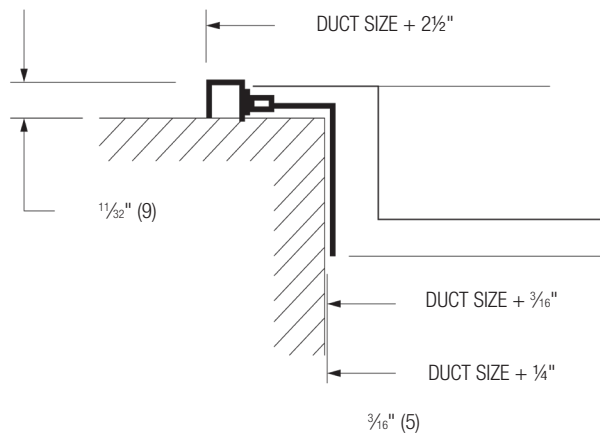


Surface Mount Application with Mounting Frame

Preparation: Frame out or cut a hole opening where the grille will be placed. The size of the opening for a “D” Mounting Frame **ONLY** to follow **Nominal Size on Factory Label + 1/4”**.

Example: For the line string 510-1-1//12.0000/12.0000/F/L///D//A//B12, the size of the hole opening would be 12 1/4” x 12 1/4”.

D



NOTE: Blocking recommended if grille is laid into drywall.

NOTE: Ensure blocking does not interfere with duct work.

500/600/700

INSTALLATION & MOUNTING INSTRUCTIONS

Countersunk 'A' Fastening with 'D' Mounting Frame

This sub-section to grilles for installation of surface mount drywall applications with "A – Countersunk Holes" mounting and "D" Mounting Frame.

Application: Ceiling, Wall & Sill

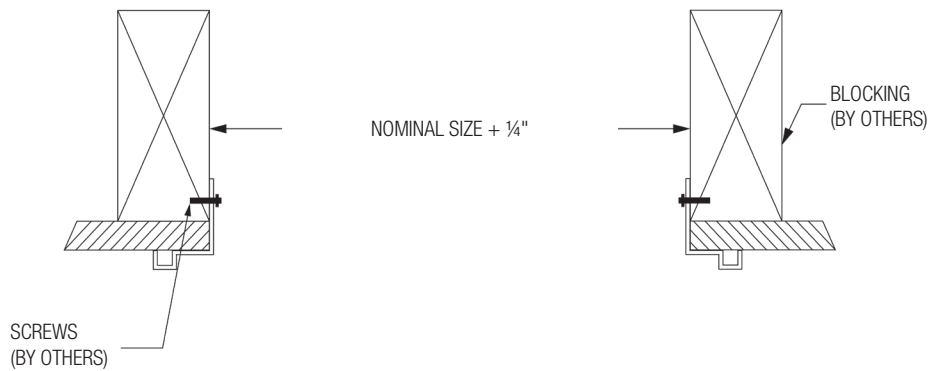
Applicable Products: All 500/600/700 grilles

'A' Fastening Borders: F & N

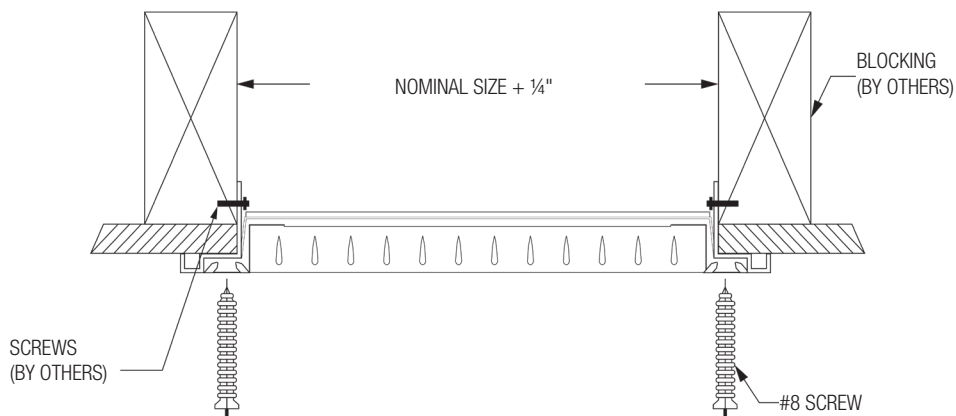
Sample line string:

510-1-1///12.0000/12.0000/F/L///D//A//B12

Step 1: Once the application of the grille is determined and the opening has been cut/framed out with the recommended blocking as per the **Preparation** step, place the grille in the opening.



Step 2: Place grilles in the opening and using the #8 screws provided by Price, screw the grille into place using countersunk screws.



500/600/700

INSTALLATION & MOUNTING INSTRUCTIONS

Concealed 'C' Fastening with D Mounting Frame

This sub-section applies to grilles for installation of surface mount drywall applications with "C – Concealed" mounting and "D" Mounting Frame.

Application: Ceiling & Wall

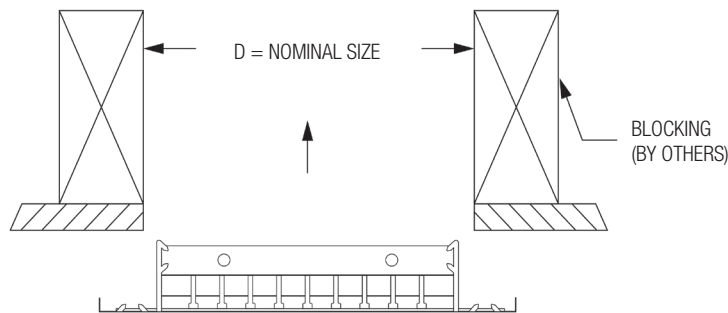
Applicable Products: Only 500 grilles

Applicable Frames: F & N

Sample line string:

510-1-1//12.0000/12.0000/F/L//D//C//B12

Step 1: Once the application of the grille is determined and the opening has been cut/framed out with the recommended blocking as per the **Preparation** step, screw the mounting frame into the blocking to secure it into place.

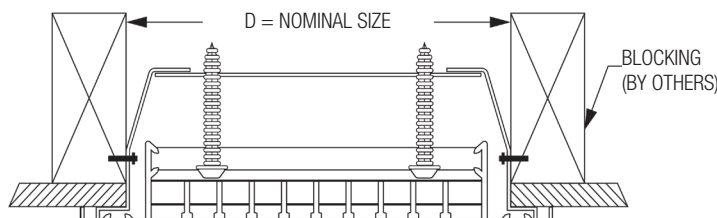


Step 2: Once the application of the grille has been determined and the opening has been cut/framed out with the recommended blocking, screw the mounting frame into blocking to secure it into place.



Step 3: Refer to page 8 for installation instructions on how to install concealed mounting bracket onto the grille.

Step 4: Install the grille with the concealed mounting brackets into the wall opening. Ensure that the outer bracket latches onto the ends of the mounting frame before tightening the concealed mounting screws. Tighten concealed mounting screws until frame comes into contact with the surface.



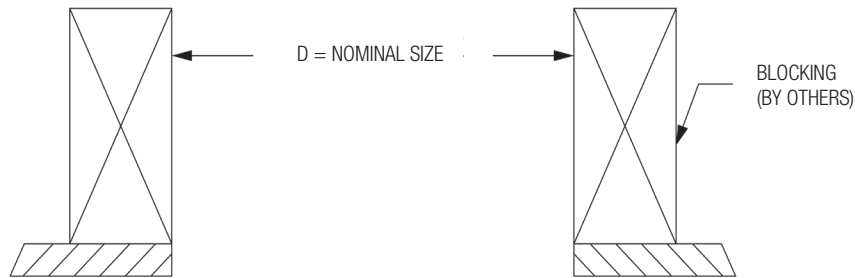
500/600/700

INSTALLATION & MOUNTING INSTRUCTIONS

Surface Mount Application with Filter Frames

Preparation: Drywall and framing should be installed (by others) before starting the preparation step. Frame out or cut a hole opening where the grille will be placed. The size of the opening for all filter frames with SM Surface Mount border to follow **Nominal Size on Factory Label.**

Example: For the line string **630FF//1/24.000/24.000/SM/L/0/0/1////MRI/QR//B12**, the size of the hole opening would be 24" x 24".



NOTE: Blocking recommended if grille is laid into drywall.

NOTE: Ensure blocking does not interfere with duct work.

Surface Mount Installation with 530FF/535FF Filter Grilles

This sub-section to grilles for installation of surface mount drywall applications with filter frames.

Application: Ceiling, Wall & Sill

Applicable Products: All 530FF/535FF grilles

Borders: SM

Sample line string:

530FF//1/24.000/12.000/SM/L//1/HL//B12

530FF//1/24.000/12.000/SM/L//1/HS//B13

535FF//1/30.000/10.000/SM/S//2/QR//B25

Step 1: Once the application of the grille is determined and the opening has been cut/framed out with the recommended blocking as per the **Preparation** step, determine if the grille needs notching. Refer to **Factory Label.**

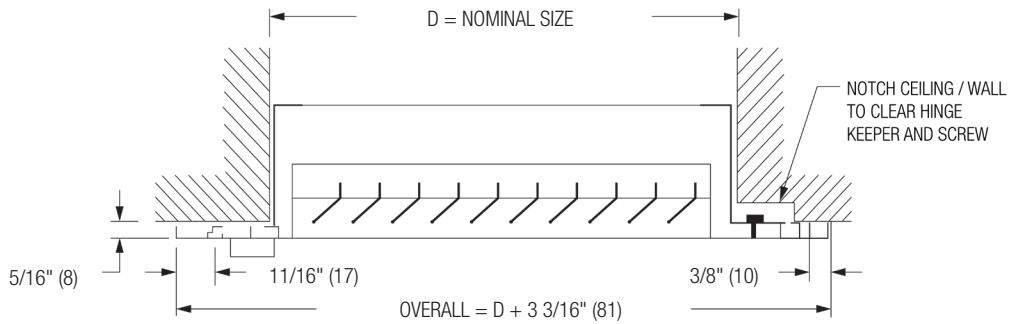


- If the line string shows either /HL/ or /HS/ like the example above, then ceiling needs to be notched. Refer to **Step 1A.**
- If the line string shows /QR/ then ceiling does not need to be notched. Refer to **Step 2.**

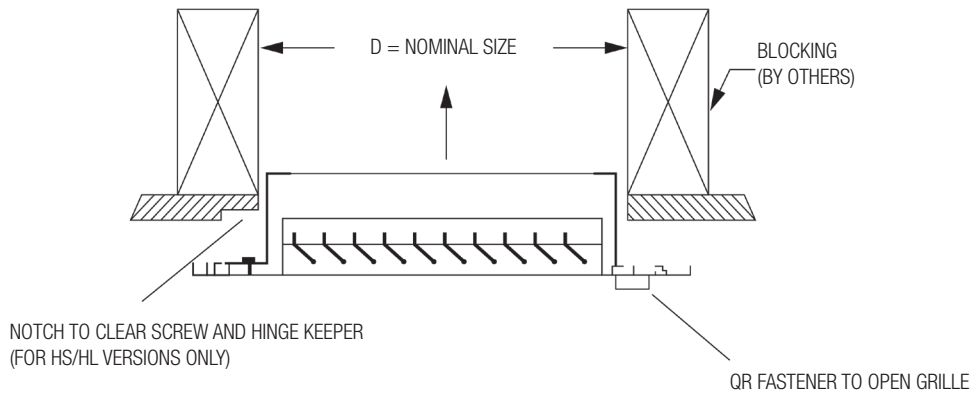
500/600/700

INSTALLATION & MOUNTING INSTRUCTIONS

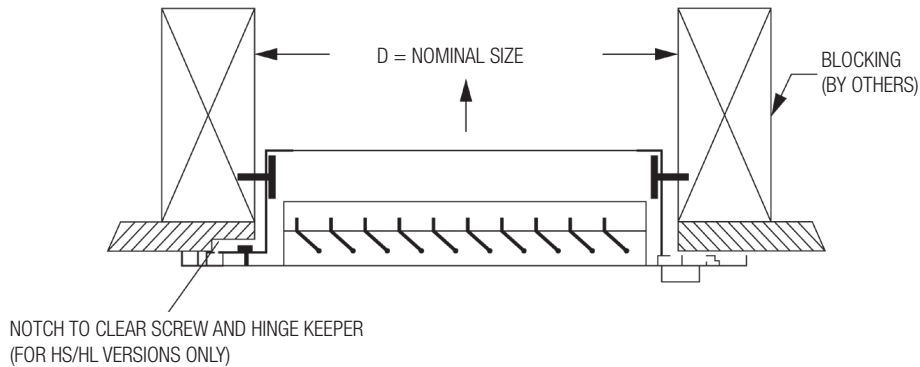
Step 1A: For hinged 530FF and 535FF, the drywall thickness interferes with the hinge. Notch into the drywall. The notch should be large enough so that the hinge keeper and screw can clear the surface without interference.



Step 2: Open the filter frame by turning the quarter turn fasteners and place open grille into the opening.



Step 3: Place the grille in the opening and using the #8 screws provided by Price, fasten the grille from the inside of the filter frame into blocking.



500/600/700

INSTALLATION & MOUNTING INSTRUCTIONS

Surface Mount Installation with 630FF/635FF Filter Grilles

This sub-section to grilles for installation of surface mount drywall applications with filter frames.

Application: Ceiling, Wall & Sill

Applicable Products: All 630FF/635FF grilles

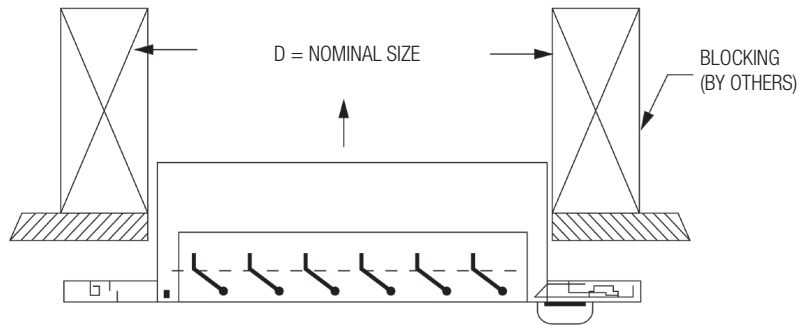
Borders: SM

630FF//I/24.000/12.000/SM/L/0/0/1/////HL//B12

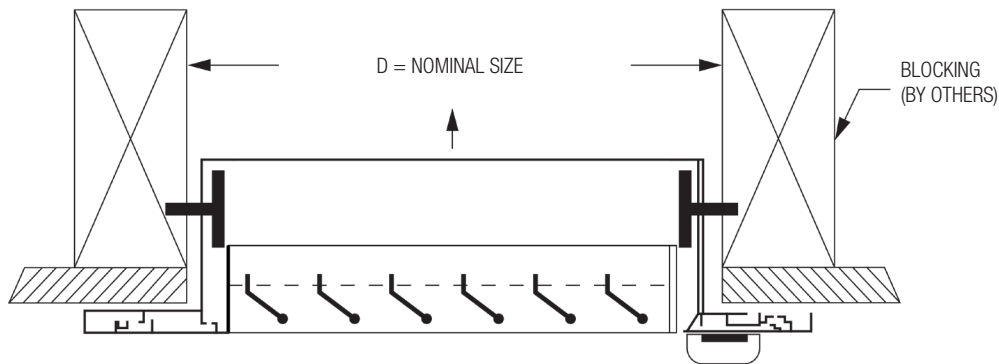
630FF//I/24.000/12.000/SM/L/0/0/1/////HS//B15

630FF//I/24.000/24.000/SM/L/0/0/1/////MRI/QR//B12

Step 1: Once the application of the grille is determined and the opening has been cut/framed out with the recommended blocking as per the **Preparation** step, place the grille in the opening. Unlike the 530FF/535FF/730FF/735FF, the 630FF and 635FF does not need notching regardless of the fastener orientation.



Step 2: Place the grille in the opening and using the #8 screws provided by Price, fasten the grille from the inside of the filter frame into blocking.



500/600/700

INSTALLATION & MOUNTING INSTRUCTIONS

Surface Mount Installation with 730FF/735FF Filter Grilles

This sub-section to grilles for installation of surface mount drywall applications with filter frames.

Application: Ceiling, Wall & Sill

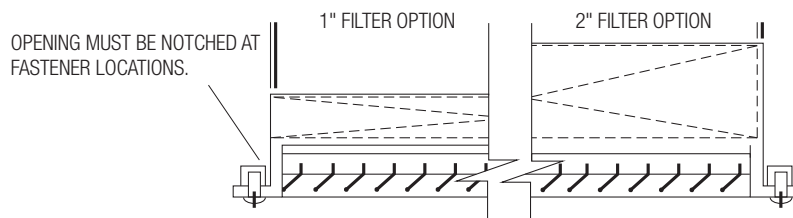
Applicable Products: All 730FF/735FF grilles

Borders: SM

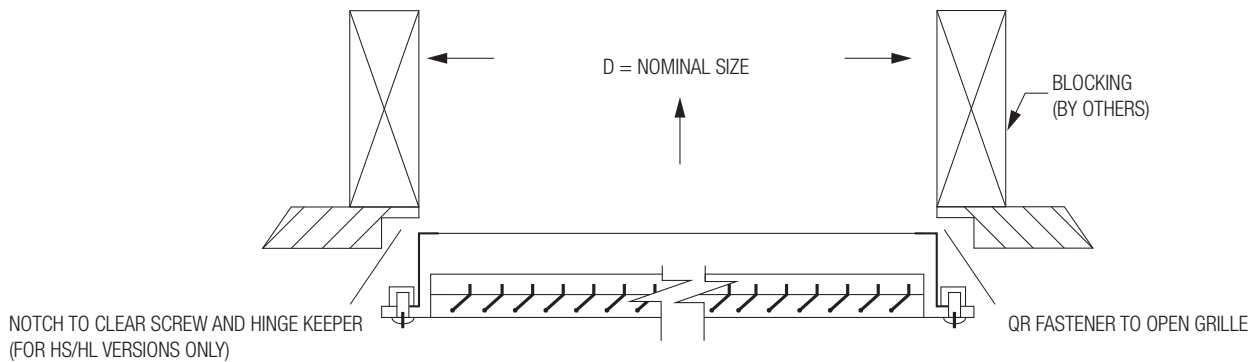
Sample line string:

735FF//I/24.000/12.000/SM/L///1///#4

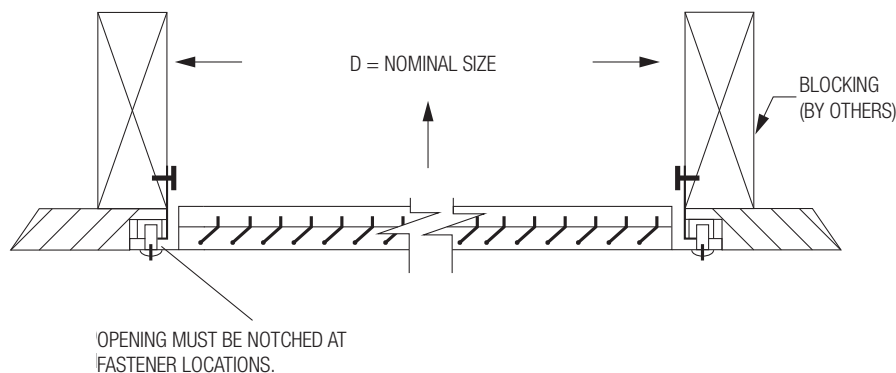
Step 1: Once the application of the grille is determined and the opening has been cut/framed out with the recommended blocking as per the **Preparation** step, the surface needs to be notched at all quarter turn fastener locations. The notch should be large enough so that the fasteners can clear the drywall without interference.



Step 2: Open the filter frame by turning the quarter turn fasteners and place open grille into the opening.



Step 3: Place the grille in the opening and using the #8 screws provided by Price, fasten the grille from the inside of the filter frame into blocking.



500/600/700

INSTALLATION & MOUNTING INSTRUCTIONS

Spiral Duct Application

SDF Frame Mounting

This sub-section applies when a grille is ordered with a spiral duct frame.

Application: Exposed Ceilings and Spiral Ducts

Applicable Products: All 500/600 grilles

Applicable Frames: SDF10 to SDF48

Sample line string:

510-1-1///12.000/8.000/SDF10/L////A/SW/B12

620-1-2///18.000/8.000/SDF/SDF14////L/A///B12

Step 1: The SDF frame can be used for mounting on spiral ducts. To start the installation, ensure that the grille size ordered is compatible with the size of the duct. For example, for a 10" diameter duct, the nominal grille width should be between 4" to 8". Refer to product submittal for grille sizing for spiral duct.

Step 2: Frame out or cut a hole opening where the grille will be placed in the duct. The size of the opening to follow nominal size listed on Factory Label. Therefore, if the nominal/ordered size is 12" x 6", then the opening should also be 12" x 6".

Step 3: The SDF will come with a duct adapter frame that will cover the hole opening and #8 screws provided by Price. Fasten the grille onto the spiral duct using the screws and holes on the flange of the duct adapter frame.

500/600/700

INSTALLATION & MOUNTING INSTRUCTIONS

Oversize Grilles

The maximum single section size for any 500, 600 and 700 series grilles are 48" x 48". When a grille is ordered in a size larger than 48", the grille is considered oversized. For a singular dimension (either length or width) that is oversized, please refer to the section "Narrow Mullion Oversize Mounting". For a grille that is oversized in **both** dimensions of length and width, please refer to the section "Duct Channel Oversize Mounting". Examples:

Narrow Mullion Oversize: 510-1-1//64.000/32.000/F/L///C/SW/B12

Duct Channel Oversize: 635-1-2//72.000/54.000/SM/F///S/A//VCS3/B13

Preparation: Frame out or cut a hole opening where the grille will be placed. The size of the opening to follow nominal size listed on Factory Label (**Except for D Mounting Frame, see NOTE**).

Example: For the line string 510-1-1//96.000/48.000/F/L///A/SW/B12, the size of the hole opening would be 96" x 48".

NOTE: Blocking recommended if grille is laid into drywall.

NOTE: Ensure blocking does not interfere with duct work.

NOTE: For D Mounting Frame, the size of the opening is 1/4" larger than the nominal size listed on Factory Label.

Narrow Mullion Oversize Mounting

This sub-section applies to grilles with either the length or width (not both) above 48" for installation of surface mount drywall applications with "A – Countersunk Holes" mounting.

Application: Ceiling & Wall

Applicable Products: All 500/600/700 grilles

'A' Fastening Borders: F & N

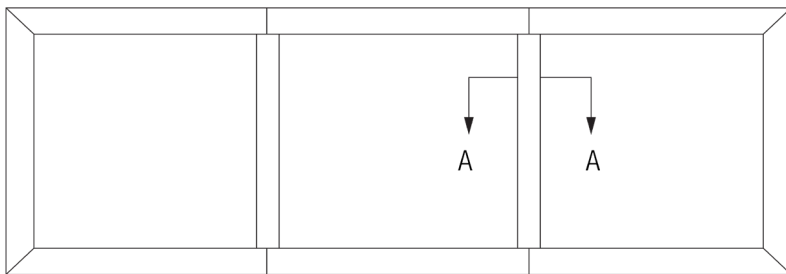
Sample line string:

510-1-1//64.000/32.000/F/L///C/SW/B12

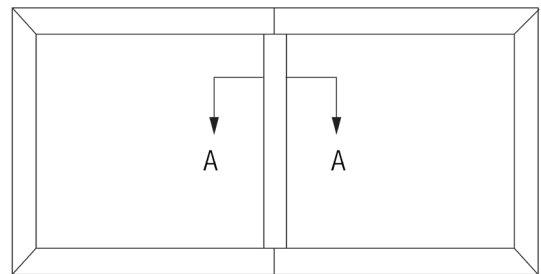
635-1-2//96.000/48.000/SM/F///L/A//VCS3/B12

710//24.000/72.000/F/L///A/#4

Step 1: Once the application of the grille is determined and the opening has been cut/framed out with the recommended blocking as per the **Preparation** step. Ensure that only one out of the two nominal grille dimensions is above 48". For example, 144" x 48" and 96" x 48" like below.



ONE DIMENSION OVER 48" (1219)
SIZES UP TO 144" x 48" (3658x1219)
THREE SECTIONS WITH MULLIONS

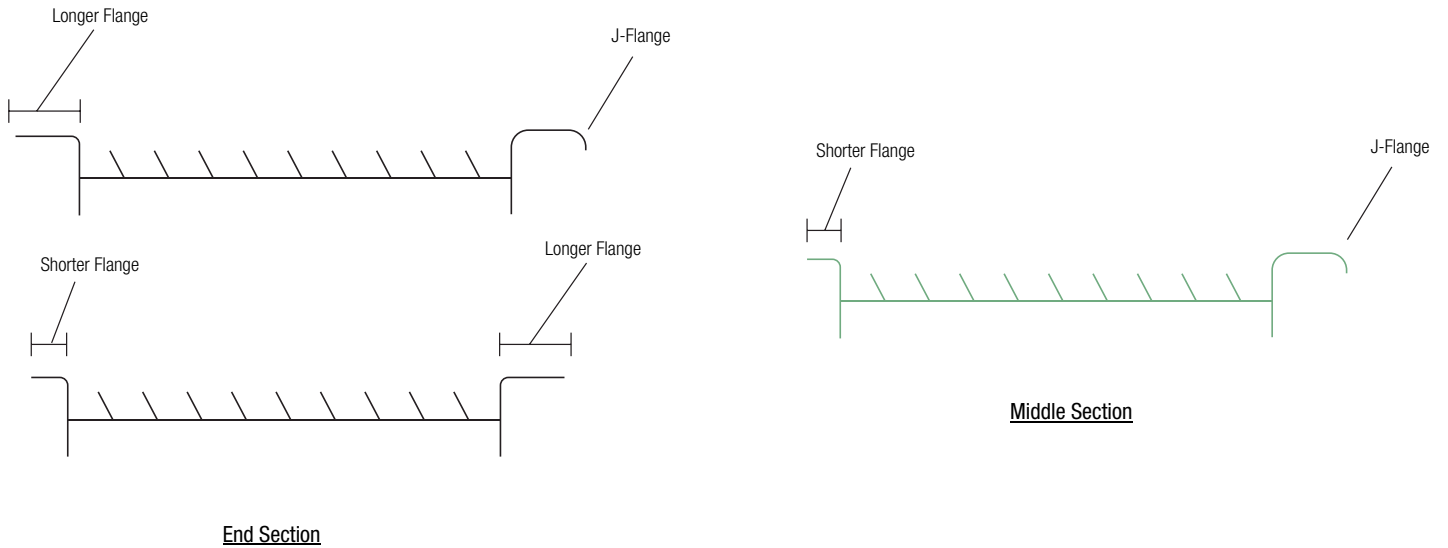


ONE DIMENSION OVER 48" (1219)
SIZES UP TO 96" x 48" (2438x1219)
TWO SECTIONS WITH MULLION

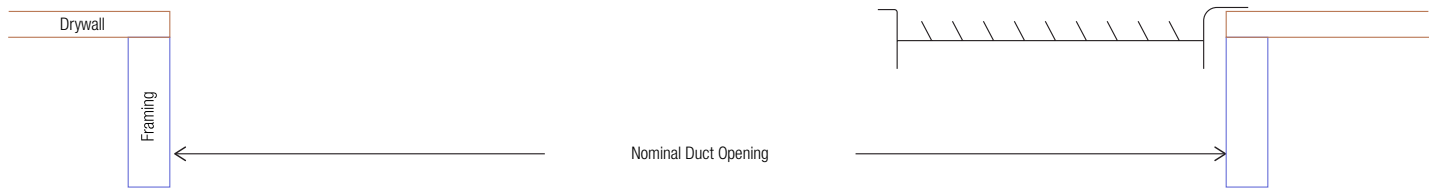
500/600/700

INSTALLATION & MOUNTING INSTRUCTIONS

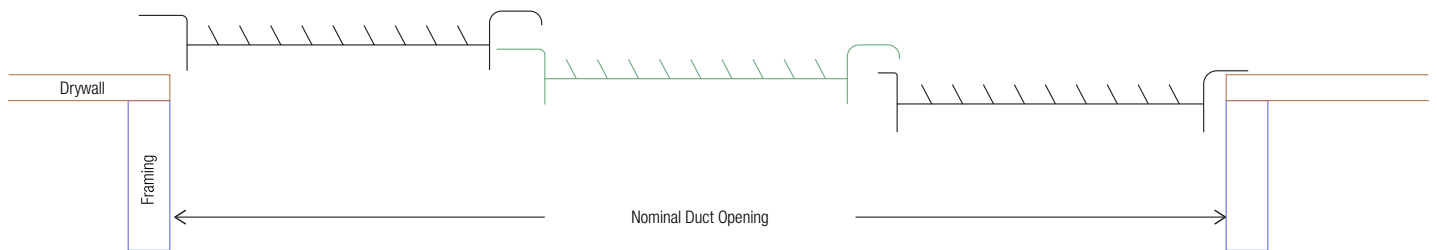
Step 2: Identify the middle sections and end sections for installation purposes.



Step 3: Place the end section with the shorter flange at one of the ends of the opening:



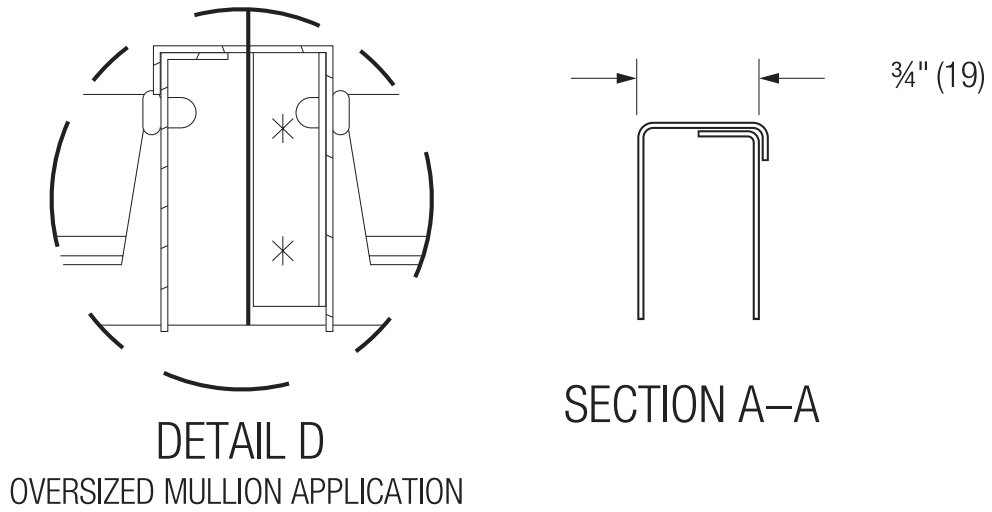
Step 4: Continue by stacking the middle sections across the opening and lastly placing the end section as you move to the other end of the opening.



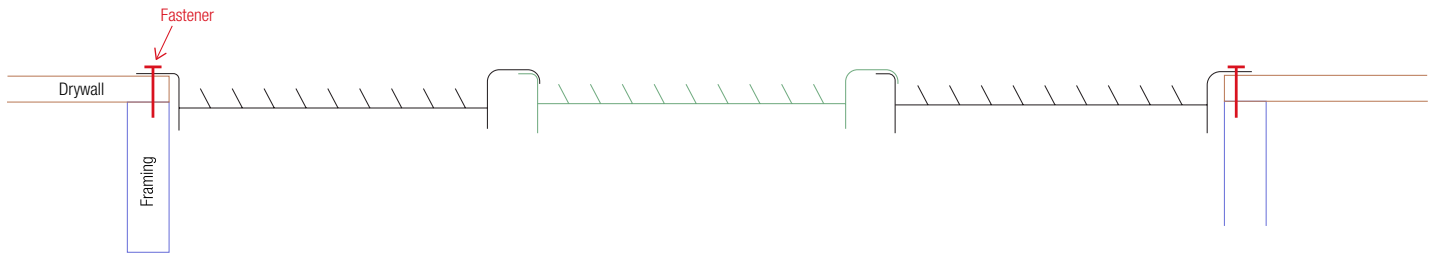
500/600/700

INSTALLATION & MOUNTING INSTRUCTIONS

Step 5: Ensure that the narrow mullions are stacked together properly, with the J-flanges placed over the shorter L-flanges.



Step 6: Fasten the borders of the grilles to the drywall and framing.



500/600/700

INSTALLATION & MOUNTING INSTRUCTIONS

Duct Channel Oversize Mounting

This sub-section applies to grilles with both the length or width above 48" for installation of surface mount drywall applications with "A – Countersunk Holes" mounting.

Application: Ceiling & Sill

Applicable Products: All 500/600 grilles

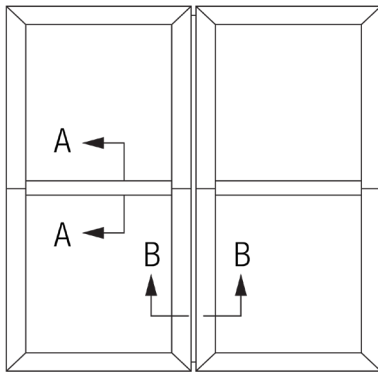
'A' Fastening Borders: F & N

Sample line string:

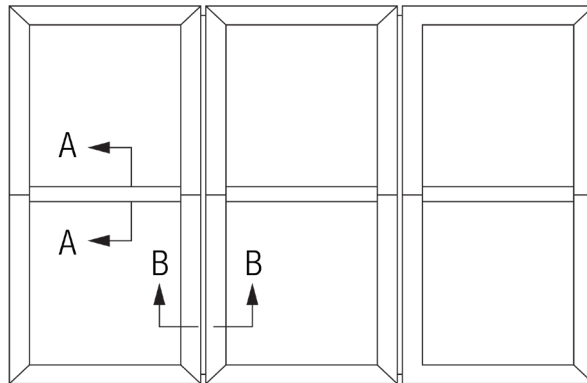
520-1-1///64.000/64.000/N/L///A/SW/B12

635-1-2///72.000/54.000/SM/F///S/A//VCS3/B13

Step 1: Once the application of the grille is determined and the opening has been cut/framed out with the recommended blocking as per the **Preparation** step. Ensure that both the nominal width and length are above 48" to use this installation method. If only one dimension is above 48", please refer to the previous section. For nominal lengths of 96" and below, refer to step 2A. For nominal lengths of above 96" to 144", refer to step 2B.

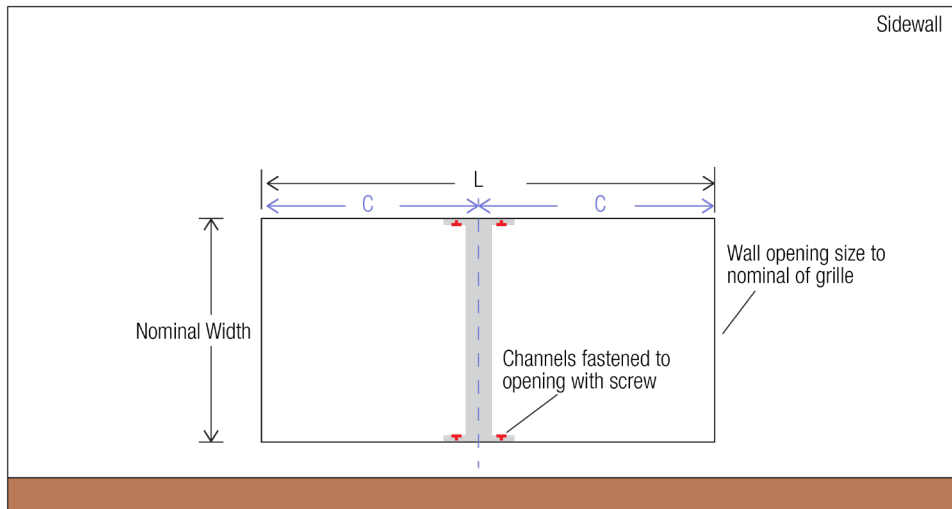


BOTH DIMENSIONS OVER 48" (1219)
UP TO 96" x 96" (2438x2438)
MULLIONS AND MOUNTING CHANNEL



BOTH DIMENSIONS OVER 48" (1219)
UP TO 144" x 96" (3658x2438)
MULLIONS AND MOUNTING CHANNEL

Step 2A: For grilles with nominal lengths of 96" and below, the order should come with one duct channel. Position the duct channel in the center and parallel to the width of the opening.

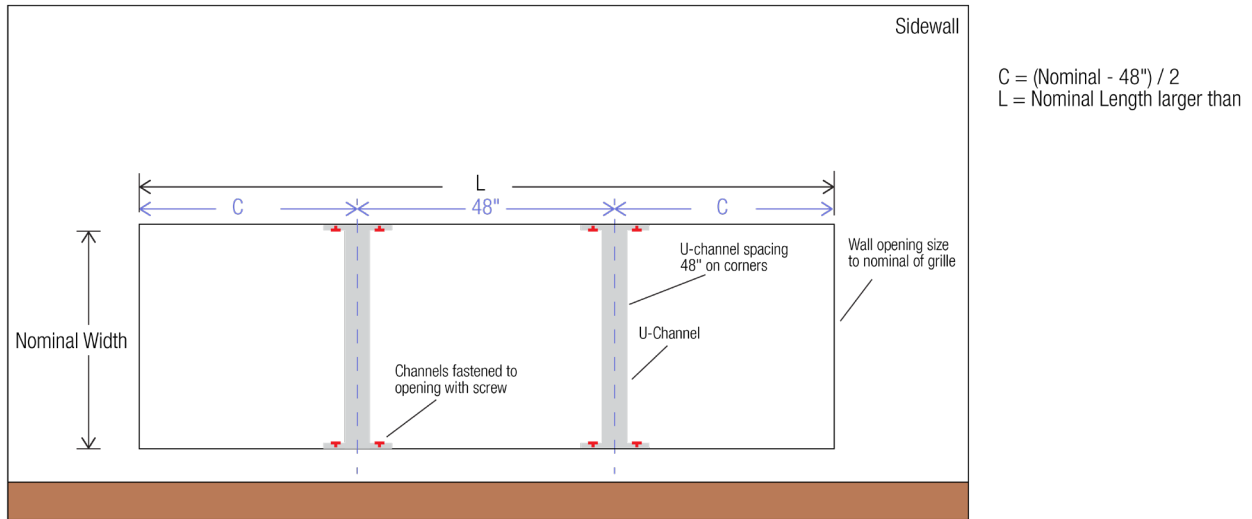


C = Nominal / 2
L = Nominal Length Larger than 96"

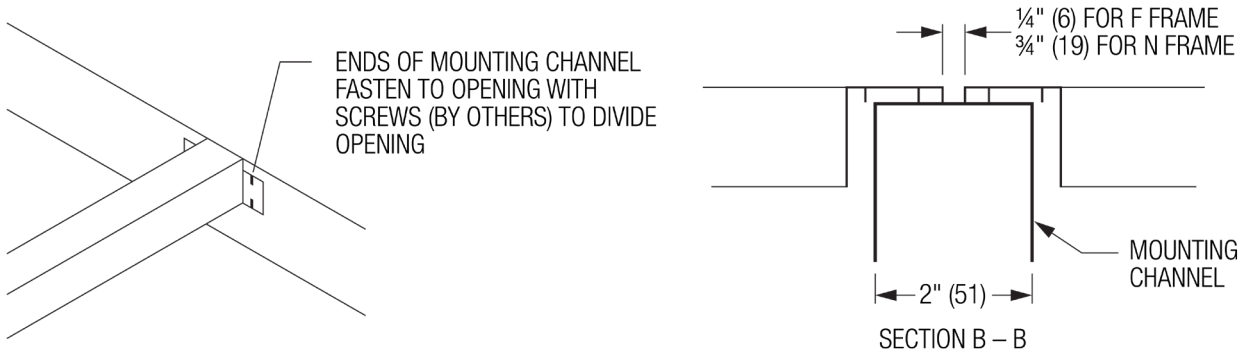
500/600/700

INSTALLATION & MOUNTING INSTRUCTIONS

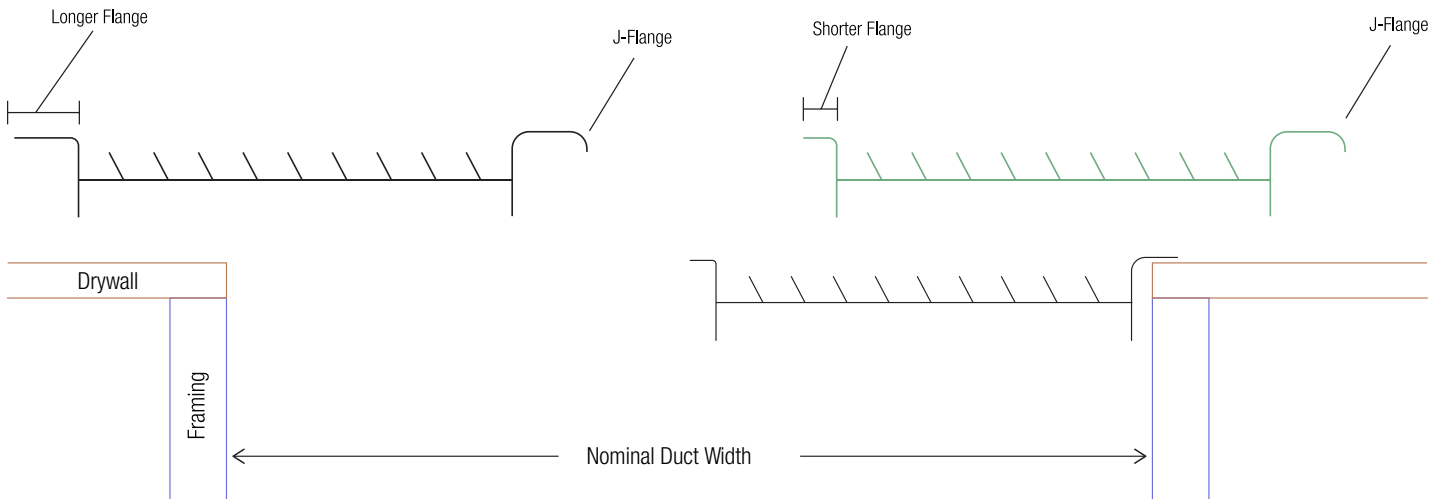
Step 2B: For grilles with nominal lengths of above 96", the order should come with two u-channel. Position the duct channels across the opening and equally apart with the duct channel parallel to the width of the opening.



Step 3: Once u-channels are positioned, fasten the ends to the opening using screws provided by others.



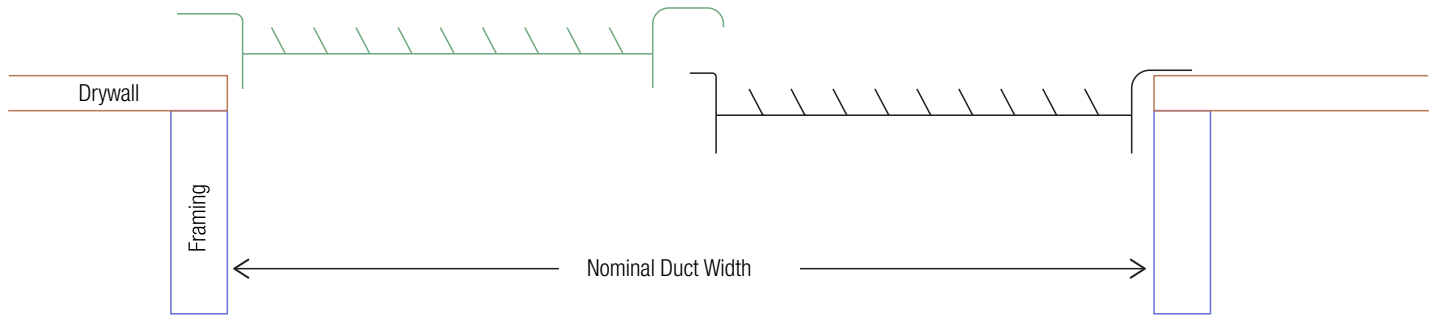
Step 4: In each gap between the duct channels, two grilles will be placed. The grilles will be stacked on top each and connected at the narrow mullions. Start by taking the end section with the shorter L-flange and place at one end of the openings.



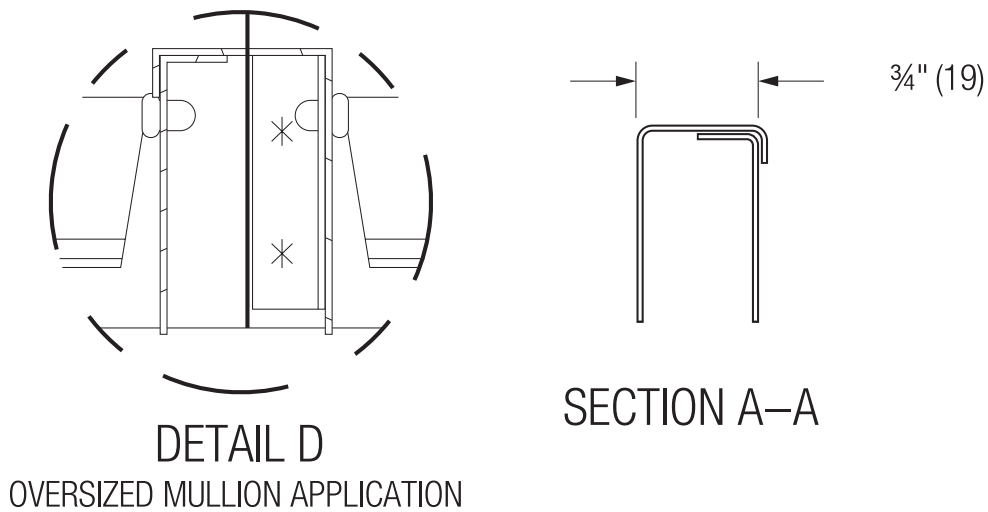
500/600/700

INSTALLATION & MOUNTING INSTRUCTIONS

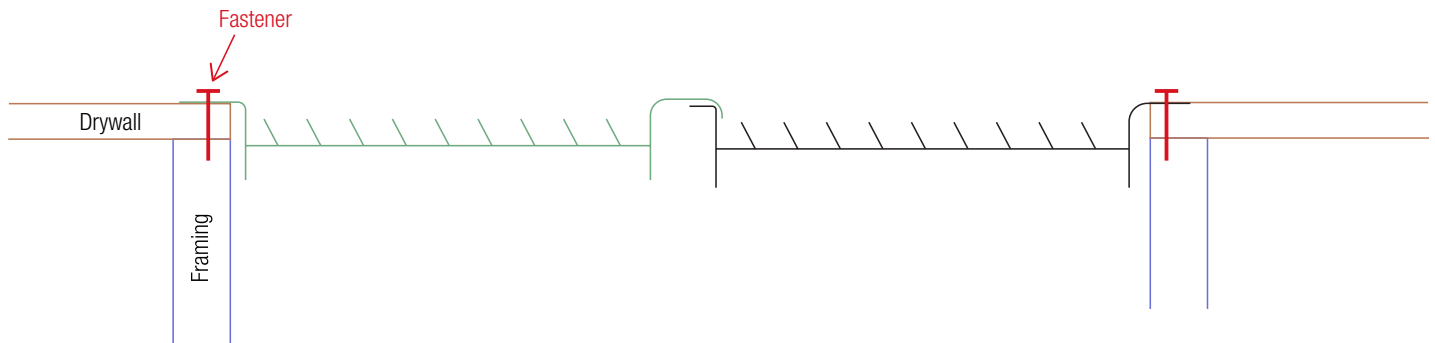
Step 5: Continue by stacking the other grille on top of the previous grille to fill the gap.



Step 6: Ensure that the narrow mullions are stacked together properly, with the J-flanges placed over the shorter L-flanges.



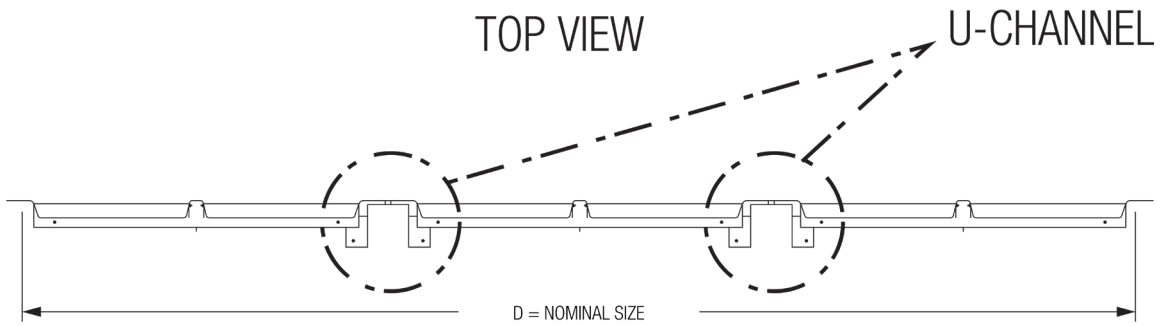
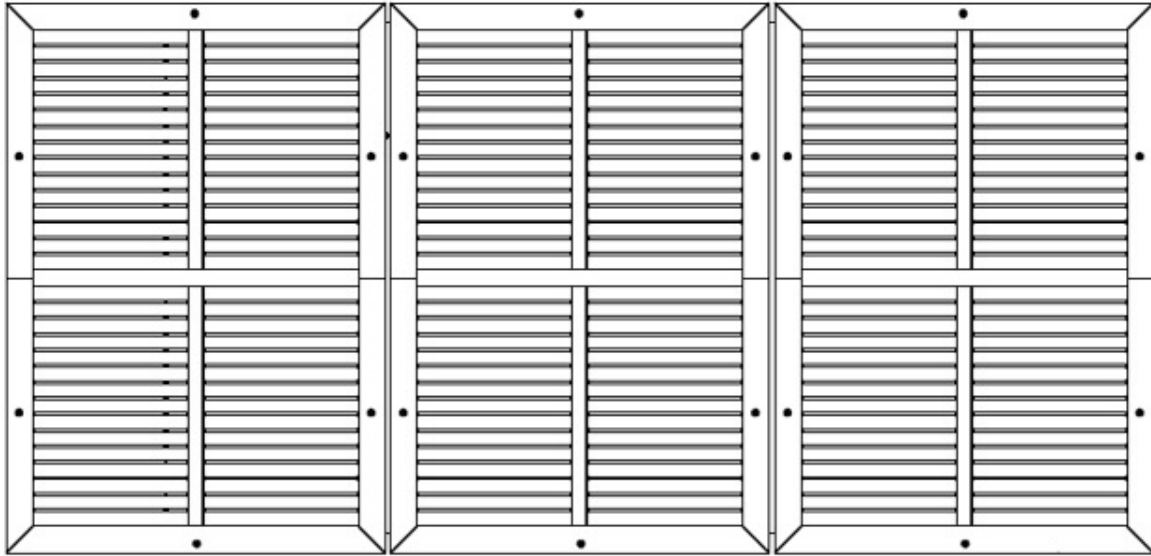
Step 7: Fastened the borders of the grilles to the drywall and framing.



500/600/700

INSTALLATION & MOUNTING INSTRUCTIONS

Step 8: Repeat Steps 4-8 for the other openings in between the aluminum channels. The end product should look similar to below:



500/600/700

INSTALLATION & MOUNTING INSTRUCTIONS

Accessory Installation

Opposed Blade Damper (Ordered as Accessory Option)

This sub-section applies when a damper is ordered as an accessory option with the grille.

Applicable Models: Most 500/600/700 grilles

Sample line string:

520D-1-1//1/24.000/24.000/F/L///A/SW/B12

630-1-2//1/23.000/23.000/LI/NF//24/24/S/0//VCS3AL/B12

735DSS//1/24.000/24.000/F/L///A/SW/#4

Step 1: The damper ordered should come readily mounted on the neck of the grille. If damper is not found in the shipment, refer to step 1A.

Step 1A: Ensure that the line string states that a damper should be included. For the 500 series, there should be a “D” at the end of the model number. For the 600 series, it should be configurable as one of the options in All-In-One. For the 700 series, there should be a “DSS” at the end of the model number. If damper is unable to be found, contact your local Price representative.

Opposed Blade Damper (Ordered Separately)

This sub-section applies when a damper as a separate product and needs to be field installed.

Applicable Models: Most 500/600/700 grilles

Sample line string:

VCS3-1-1//1/12.000/12.000/A/MILL

VCS3AL-1-1//1/8.000/8.000/E/MILL

Step 1: Ensure that the operator is functioning properly to adjust the damper blades.

Step 2: Align the damper on the neck of the grille. For installation without z-clips, refer to step 3; for installation with z-clips, refer to step 3B.

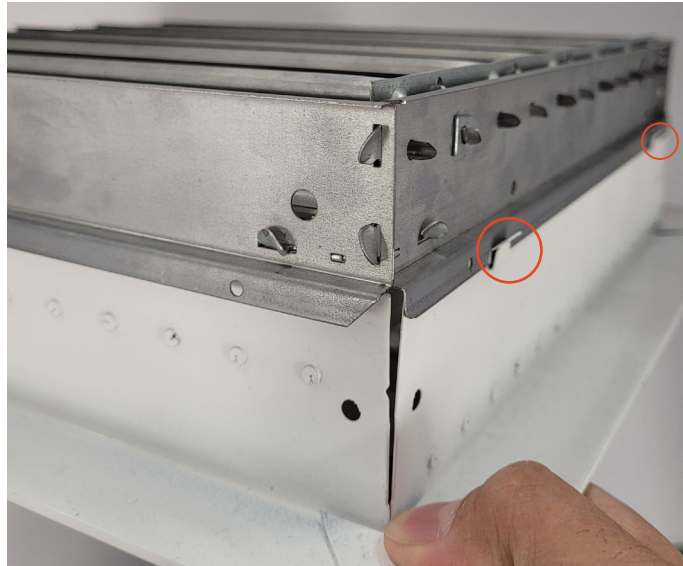


500/600/700

INSTALLATION & MOUNTING INSTRUCTIONS

Step 3A: If z-clips are not ordered for the damper, secure the damper to the neck of the grille using self-tapping sheet metal screws.

Step 3B: The z-clips are pressed on to the neck of the grille. The damper should then snap in place as seen below:



Grille Size	Number of Damper Sections	Number of Z Clips
4" to 24"	1	4
Above 24" to 48"	2	8

500/600/700

PART LIST

A – Countersunk Mounting Parts

Part Name	Description	Part Number
A Mounting Screws (500 & 600)	SMS #8 x 1.5 Type “A” Screws	900179
A Mounting Screws (700)	SMS #8 x 1.5 PH FL SS	031746

C – Concealed Mounting Parts

Grille Type	Grill Size	Description	Part #	QTY
Grille without Damper - 205775	Grilles 12” and Less	CMB Outer Bracket	205798-999	1
		CMB Side Angle Bracket	205831-004	2
		Mounting Screw #8 x 2.500 Bracket Screw	031948-002	2
		Washer NPRN #2629	033363-001	2
		Threaded Clip #8 J-Nut Tinn DC-8042-8-4	032160-001	2
		Sheet Metal Screw #6-20x.375 DS RB PN PL	031011-001	2
	Grilles above 12”	CMB Outer Bracket	205798-999	2
		CMB Side Angle Bracket	205831-004	4
		Mounting Screw #8 x 2.500 Bracket Screw	031948-002	4
		Washer NPRN #2629	033363-001	4
		Threaded Clip #8 J-Nut Tinn DC-8042-8-4	032160-001	4
		Sheet Metal Screw #6-20x.375 DS RB PN PL	031011-001	4
Grille with Damper - 205776	Grilles 12” and Less	CMB Outer Bracket	205802-999	1
		CMB Inner Bracket	205806-999	1
		Mounting Screw #8 x 2.500 Bracket Screw	031948-002	2
		Washer NPRN #2629	033363-001	2
		Threaded Clip #8 J-Nut Tinn DC-8042-8-4	032160-001	2
		Sheet Metal Screw #6-20x.375 DS RB PN PL	031011-001	2
	Grilles above 12”	CMB Outer Bracket	205802-999	2
		CMB Inner Bracket	205806-999	2
		Mounting Screw #8 x 2.500 Bracket Screw	031948-002	4
		Washer NPRN #2629	033363-001	4
		Threaded Clip #8 J-Nut Tinn DC-8042-8-4	032160-001	4
		Sheet Metal Screw #6-20x.375 DS RB PN PL	031011-001	4

Accessories

Part Name	Part Number
VCS3 Opposed Blade Damper	235083
VCS3 OBD Mullions over 48x24	502928
IS Insect Screen	900089
LS Light Screen	505590
SR – Square to Round Adaptor	229171
SR – Square to Round Adaptor for Damper Use	229172

This document contains the most current product information as of this printing.
For the most up-to-date product information, please go to priceindustries.com

© 2022 Price Industries Limited. All rights reserved.

PRICE[®]

The Science of Comfort[™]